

# DATASHEET

Name:  
Type:  
Designed by:

**CAPSULA**  
Pendant Light  
Lucie Koldova

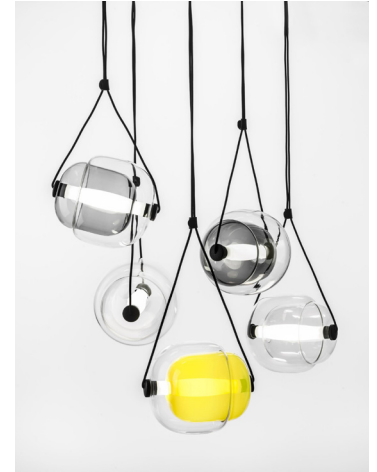


## DESCRIPTION

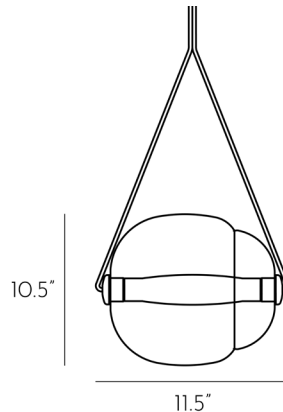
Capsula is a sophisticated light bearing resemblance to a plant cell or seed. The nucleus of the piece is a tubular triplex-glass LED light source that transcends the inner shade and translucent external shell to form a notional axis.

## TECH. DESCRIPTION

Capsula comprises three glass components. The light source is housed in a glass tube and uses special Brokis connectors in metal end caps. The end caps hold the light together even once the cords have been removed. The light is hung from a ceiling canopy, which also contains the electronics.



## CERTIFICATES



Product ID: PC937

## CONSTRUCTION SPECIFICATIONS

Weight:	3.9 kg
Construction material:	Glass, metal
Cord Length:	2,200 mm
Mounting:	Ceiling
Environment:	Indoor

## ELECTRICAL SPECIFICATIONS

Input voltage [V]:	100 - 240 V
Frequency [Hz]:	50-60 Hz
Max. power [W]:	5 W
Coverage IP:	20
Socket:	LED module
Light source:	-
Energy class:	A+

## LED SOURCE

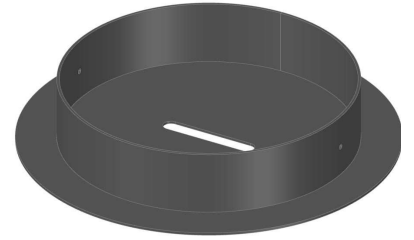
Type	LED module
Lamp wattage [W]	5 W
Input voltage [V]	24 VDC
Energy class	A+
Flux [lm]	300 lm
Light colour [K]	2700K
CRI	80+
Lifespan [h]	20,000 hr
Dimmable	yes (PWM)



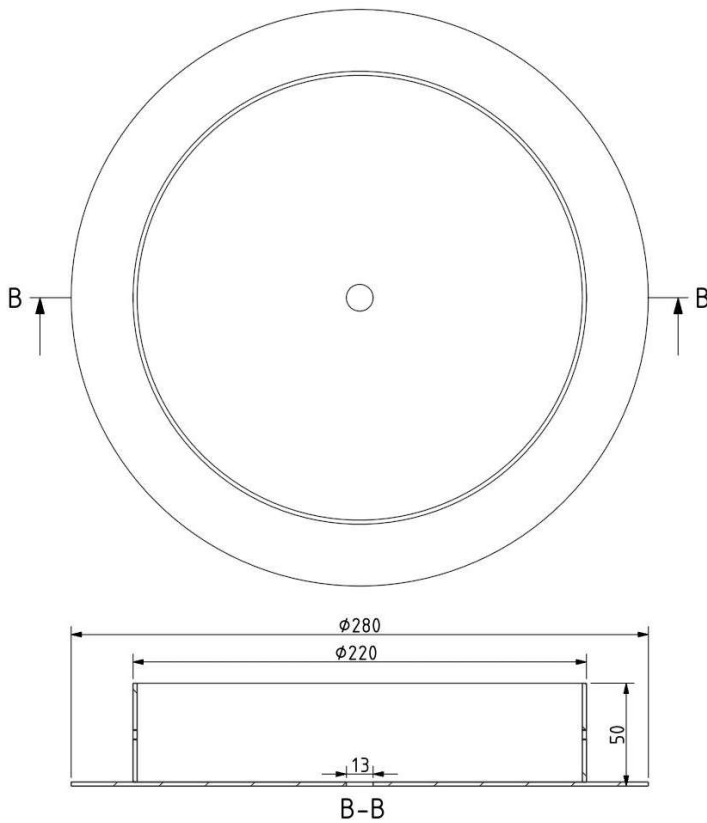
Product ID: CP10301

## CEILING CANOPY

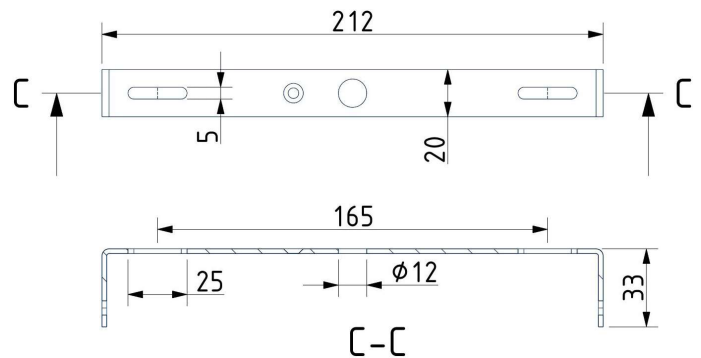
Dimensions $\varnothing$ x w [in/mm]	11" x 2" / 280 x 50 mm
Weight [kg]	1.6 kg
Material	metal



### Drawing



### Canopy bracket



# PRODUCT DETAILS

## Glass Colour

Transparent glass	CGC23
Smoke grey - transparent glass	CGC516
Opaline - transparent glass	CGC38
Amber - transparent glass	CGC515
Yellow - transparent glass	CGC45
Violet - transparent glass	CGC669
Red - transparent glass	CGC45
Light Blue - transparent glass	CGC544
Orange - transparent glass	CGC157
Pearl Grey - opaline glass	CGC1916

## Glass Surface

Glossy Finish	CGSU66
Acid-etched both side surface	CGSU881

## Inner Glass Colour

Transparent glass	CGCI682
Smoke grey - transparent glass	CGCI685
Opaline - transparent glass	CGCI749
Amber - transparent glass	CGC686
Yellow - transparent glass	CGC681
Violet - transparent glass	CGCI683
Red - transparent glass	CGCI913
Light Blue - transparent glass	CGCI912
Orange - transparent glass	CGCI938
Pearl Grey - opaline glass	CGCI1914

## Inner Glass Surface

Acid-etched both side surface	CGSUI905
Glossy surface	CGSUI906

## Body Finishes

Silver anodized	CCS1917
Black anodized	CCS1948

## Canopy Finishes

Iron - Black matte powder coating	CCSC619
Iron - White matte powder coating	CCSC618

## Connection method

Brokis connector	CCM1019
------------------	---------

## Cable Colour

Textile cable - black	CECL519
Textile cable - light grey	CECL1918

**LED Source**

24V, LED, 5W, 2700K, 273lm, RA80+, DIM	LEDS1945
24V, LED, 5W, 4000K, 336lm, RA80+, DIM	LEDS1946
24V, LED, 5W, 5000K, 356lm, RA80+, DIM	LEDS1947

**Dimmable version**

Non-dimmable version	CEDV1457
RF system - remote control version	CEDV1461
PWM Single	CEDV1459
1-10V	CEDV1460
DALI version	CEDV1458
AC phase-out	CEDV1730